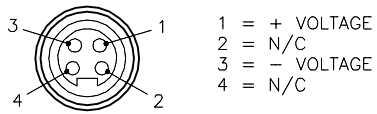
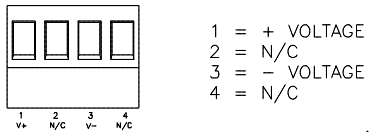


S1 CONNECTOR

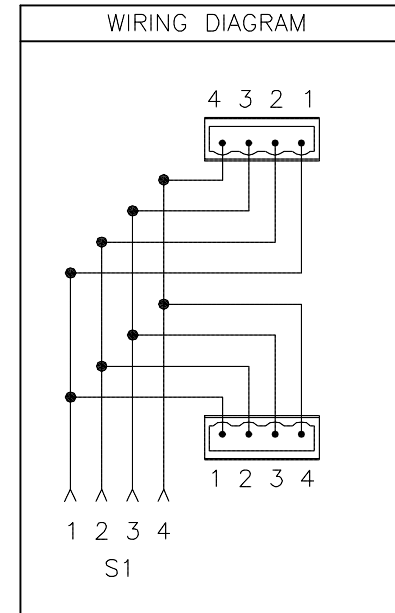
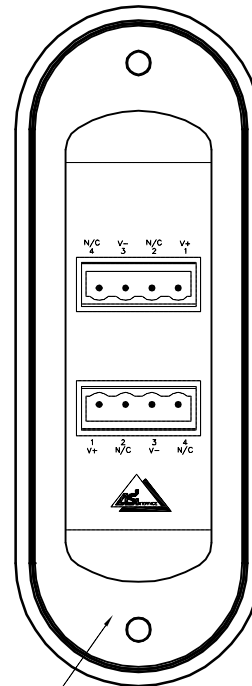
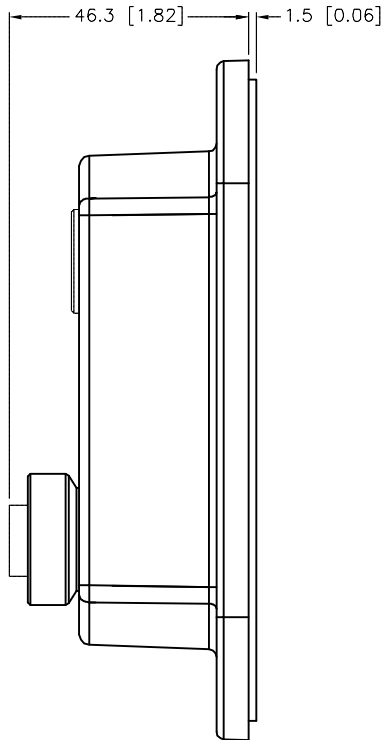
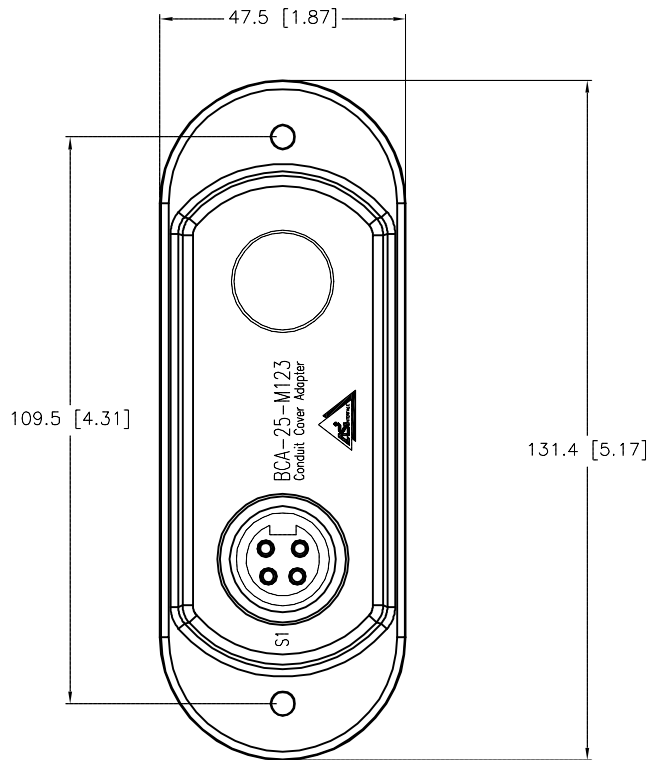


TERMINAL BLOCK PLUGS

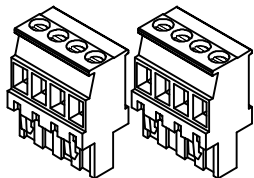
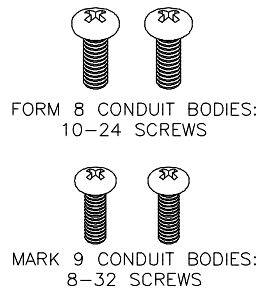


SPECIFICATIONS

HOUSING MATERIAL/COLOR	NYLON 66 - 33% GLASS FILLED/BLACK
RECEPTACLE HOUSING MATERIAL/FINISH	STAINLESS STEEL/PASSIVATED
CONTACT CARRIERS/COLOR	TPU/BLACK
CONTACT MATERIAL/PLATING	BRASS/GOLD
OPERATING VOLTAGE	300 V
OPERATING CURRENT	9.0 A MINIFAST, 8 A TERMINAL BLOCK
PROTECTION CLASS to DIN 40050	IP 67 - ONLY WHEN ALL RECEPTACLES ARE COVERED WITH PLUGS OR CONNECTED
OPERATING TEMPERATURE	-30°C to +80°C (-22°F to +176°F)



COVER SCREWS INCLUDED



TERMINAL BLOCKS INCLUDED

SOURCE DRAWING - FOR REFERENCE ONLY

RELATED DOCUMENTS 1. 2. 3. 4.	3RD ANGLE PROJECTION 	THIS DRAWING IS CONFIDENTIAL AND THE PROPERTY OF TURCK INC. USE OF THIS DOCUMENT WITHOUT WRITTEN PERMISSION IS PROHIBITED.		3000 CAMPUS DRIVE MINNEAPOLIS, MN 55441 1-800-544-7769 (763) 553-7300 (763) 553-0708 fax turck.com	
		DRFT RDS APVD DF	DATE 01/30/02 SCALE 1=1.5	DESCRIPTION BCA-25-M123	
MATERIAL	ALL DIMENSIONS DISPLAYED ON THIS DRAWING ARE FOR REFERENCE ONLY CONTACT TURCK FOR MORE INFORMATION	UNIT OF MEASUREMENT MILLIMETER [INCH]		IDENTIFICATION NO. U8633-1	REV E
FINISH		DO NOT SCALE THIS DRAWING		FILE: U8633-1	SHEET 1 OF 1

E	ADDED THICKER GASKET	RDS	09/12/13	42993
REV	DESCRIPTION	BY	DATE	ECO NO.